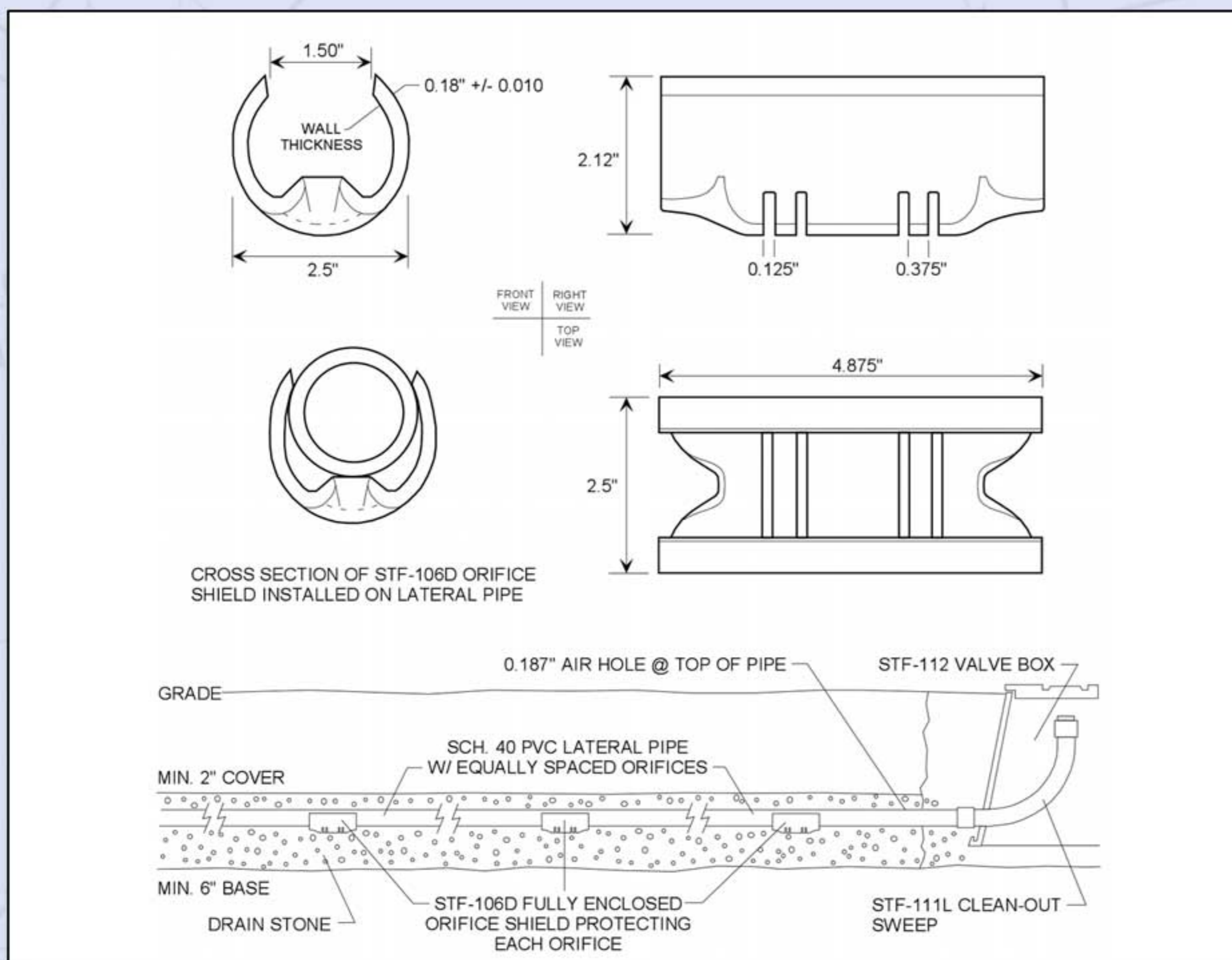


**FEATURES**

- ❖ Prevents orifice restriction or blockage by eliminating contact between the orifice and drain media
- ❖ Ensures even distribution
- ❖ Flow rates are calculated and designed assuming unrestricted drain holes or orifices, keep them that way by using quality orifice shields
- ❖ Use on mound systems or pressurized chambered systems
- ❖ Diffuses concentrated streams of effluent without the use of splash plates or drain stone under the downward orifices
- ❖ Snaps onto distribution pipe with over 9" of gripping surface, staying securely in place even after back-filling with PVC cement
- ❖ Can be additionally secured by gluing with PVC cement
- ❖ Available to fit ¾", 1", 1 ¼" & 1 ½", and 2" pipe
- ❖ Available custom to fit 3" pipe



Order part No. STF-106D-0.75  
 STF-106D-1.00  
 STF-106D-1.25-1.50  
 STF-106D-2.00

CAD detail drawing available in DXF format

**RELATED PRODUCTS**

- STF-106-0.75 page 11
- STF-106-1.00 page 11
- STF-106-1.25-1.50 page 11
- STF-106-2.00 page 11
- STF-106TDS-0.75 page 13
- STF-106TDS-1.00 page 13
- STF-106TDS-1.25-1.50 page 13
- STF-106TDS-2.00 page 13

U.S. Patent # 6,167,914