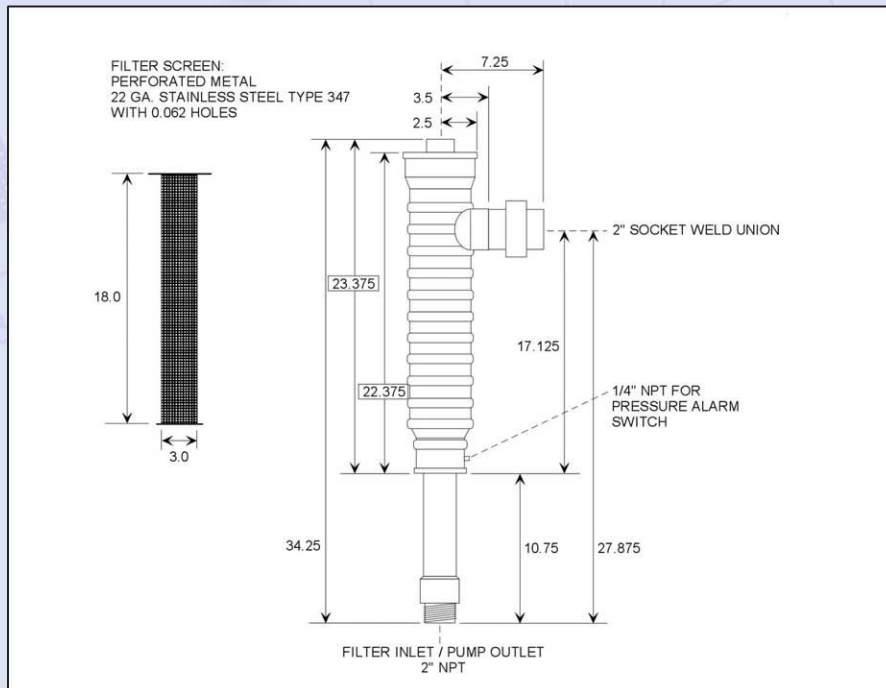


FEATURES

- ❖ Low maintenance
- ❖ Easy to install and service
- ❖ Economical
- ❖ Extends life of drain field
- ❖ Improves effluent quality
- ❖ The last line of defense before the laterals
- ❖ Vortex scrubbing action helps keep filter clean providing maximum maintenance intervals
- ❖ Uses a S.S. filter screen with .062 diameter holes
- ❖ Provides a 69.52 sq. in. or 41% open area which allows the filter to pass 83.8 GPM at 1 PSI
- ❖ Assures quality effluent with lower TSS levels, keeping pressurized systems functioning at 100% efficiency
- ❖ Low head loss .5002 ft. or .21 PSI
- ❖ Flow rate with clean screen 120,672 GPD @ 1 PSI
- ❖ Flow rate with 95% plugged screen 114,912 GPD @ 1.8 PSI
- ❖ Job ready with 2" schedule 80 union and tailpiece attached (STF-100)
- ❖ Field assemble does not include union or tailpiece (STF-100A2)
- ❖ Use optional filter socks to filter smaller particles



Order part No. STF-100
 STF-100A2

CAD detail drawing available in DXF format

RELATED PRODUCTS

- STF-104-600M page 14
- STF-104-150190M page 14
- STF-104TN page 14
- STF-101 page 14
- STF-101A page 14
- STF-107 page 14
- STF-102 page 14
- STF-FC page 14
- STF-150 page 14
- STF-103B page 14
- STF-105 page 14

U.S. Patent # 5, 885, 452
 Canada Patent # 2, 237, 751