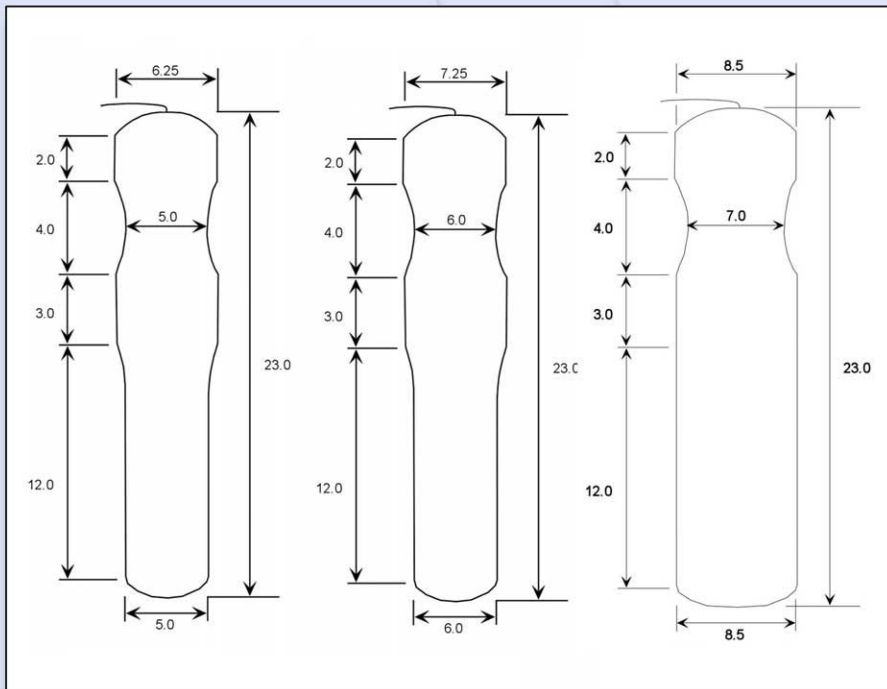


FEATURES

- ❖ Similar to already proven STF-110, these filters were designed for larger housings and pre-cast tanks with built in square baffles
- ❖ Flexible bristles allow filter to fit into different types of tees and housings
- ❖ 90 degree handle for easy installation and removal
- ❖ Offers superior filtration for tissue, hair, lint, and most common solids found in wastewater that slotted designs miss
- ❖ Allows biological maturing and sloughing to maximize septic tank efficiency
- ❖ Constructed of polypropylene bristles wound into a 316 S.S. core
- ❖ Offers best filter performance at a fraction of the cost of large commercial filters
- ❖ Filters to 1/16" diameter
- ❖ Available in 6" white (3,000 GPD), 7" red (4,000 GPD), and 8" blue (5,000 GPD)



Order part No. STF-110-6W
 STF-110-7R
 STF-110-8B

CAD detail drawing available in DXF format

RELATED PRODUCTS
 STF-110 page 3

U.S. Patent # 6, 811, 692