

STF-APC24B



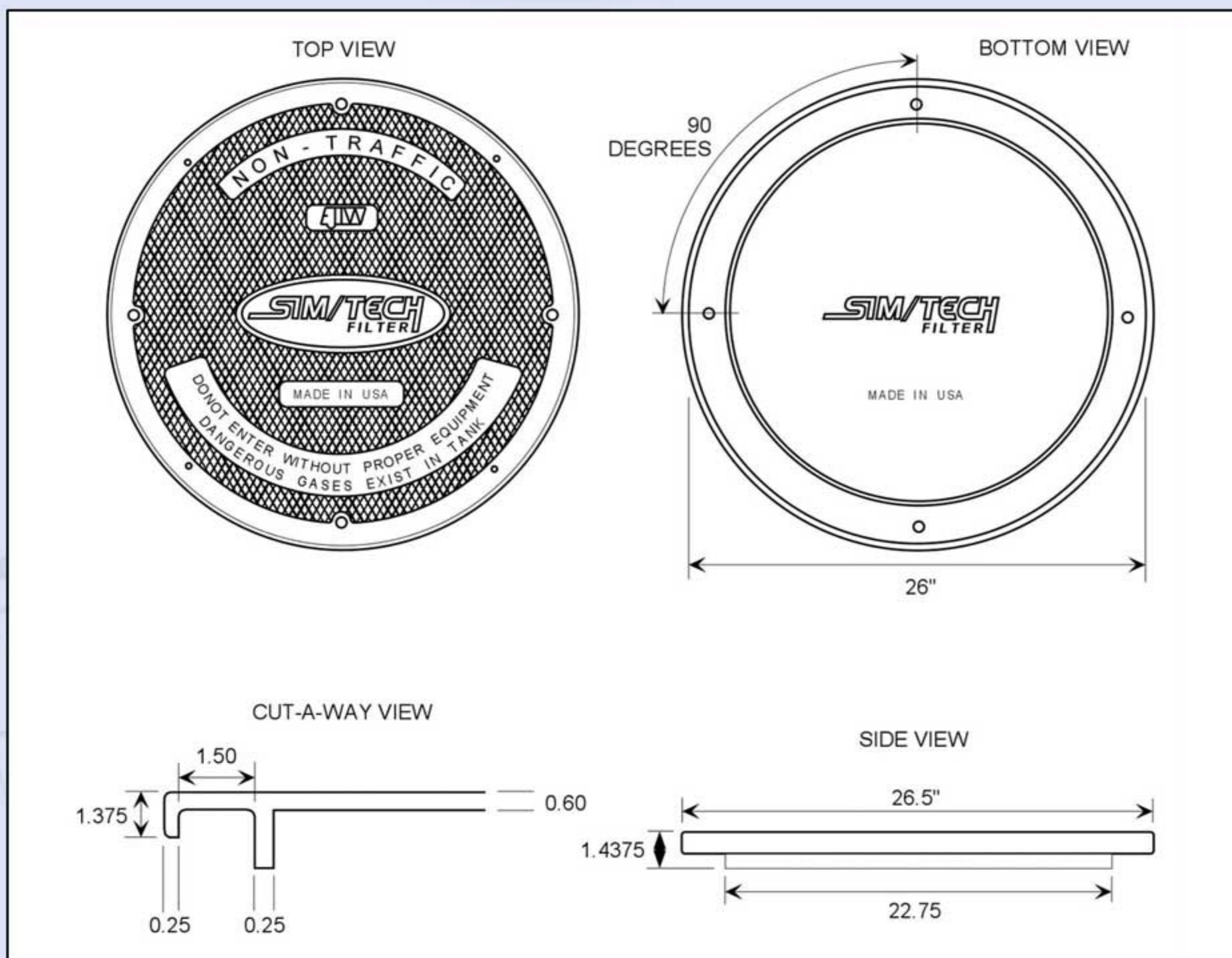
STF-APC24G

FEATURES

- ❖ High strength polycarbonate with 8000 lbs. wheel load in all weather conditions, H10 rating
- ❖ Baked urethane finish for positive UV protection and a hard durable surface (Available in green or black)
- ❖ Flat, non-slip diamond-plate surface
- ❖ Positive drop in feature ensures proper cover and gasket alignment and makes installation easy
- ❖ Screws will not pull through even in extremely hot conditions
- ❖ 4 holes and 4 drillable dimples in two different hole patterns for universal fastening and the ability to fit multiple 24" diameter risers
- ❖ Soft gasket provides good seal on various surfaces
- ❖ Can be easily installed with Styrofoam insulation for cold climates
- ❖ Can be attached to the bottom of our STF-R824B segmented riser or to a 24" PVC well casing to create a pump basin

Order part No. STF-APC24B
 STF-APC24G

CAD detail drawing available in DXF format



RELATED PRODUCTS

- STF-CI24 page 5
- STF-R824B page 9
- STF-AR24 page 9
- STF-N18 page 10
- STF-N24 page 10
- STF-N30 page 10
- STF-APC24GI-075 page 14
- STF-APC24BI-075 page 14
- STF-APC24GI-100 page 14
- STF-APC24BI-100 page 14
- STF-APL24G page 14
- STF-APL24B page 14